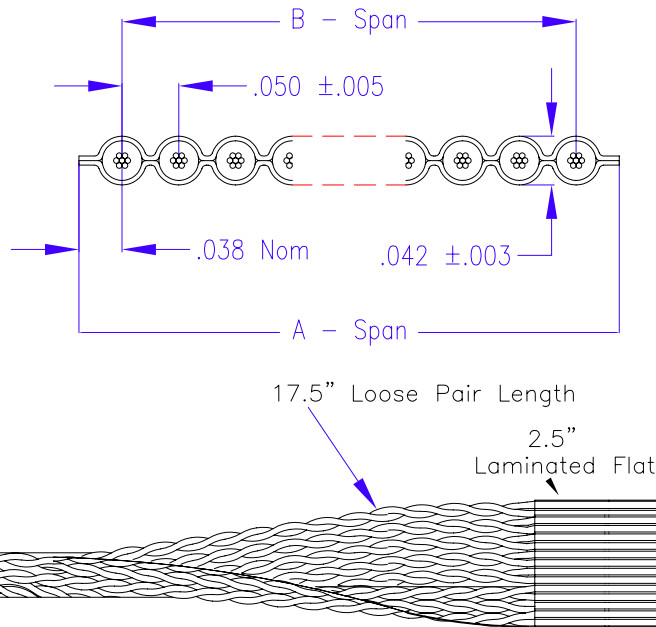


Cross Section at Flat



PHYSICAL

Conductors: 28 AWG 7/36 Tinned Copper
 Insulation: .010" Silicone-Polyimide Copolymer
 Color Code: Tan Common, Brown, Red, Orange, Yellow, Green, Blue, Violet, Gray, White, Black and Repeat
 Laminate: .005" White HF-FR Polyolefin

Temperature Rating: -65°C to 150°C Insulated Singles

ELECTRICAL

Impedance: 115 ohms
 Capacitance: 14 pF/ft
 Propagation Delay: 1.6 ns/ft Nom
 Voltage Rating: 300 V
 Current Rating: 1.3 A
 Insulation Res: 10¹⁰ ohms - 10 ft MIN

Above values measured Ground-Signal-Ground Configuration

Part Number	Count	Pairs	A Span		B Span {Nom}	
468-2832-010	10	5	.526	(13,36mm)	NOM	.450 (11,43mm)
468-2832-014	14	7	.726	(18,44mm)	NOM	.650 (16,51mm)
468-2832-016	16	8	.826	(20,98mm)	NOM	.750 (19,05mm)
468-2832-020	20	10	1.026	(26,06mm)	NOM	.950 (24,13mm)
468-2832-026	26	13	1.326	(33,68mm)	NOM	1.250 (31,75mm)
468-2832-034	34	17	1.726	(43,84mm)	NOM	1.650 (41,91mm)
468-2832-036	36	18	1.826	(46,38mm)	NOM	1.750 (44,45mm)
468-2832-040	40	20	2.026	(51,46mm)	NOM	1.950 (49,53mm)
468-2832-050	50	25	2.526	(64,16mm)	NOM	2.450 (62,23mm)
468-2832-060	60	30	3.026	(76,86mm)	NOM	2.950 (74,93mm)
468-2832-064	64	32	3.226	(81,94mm)	NOM	3.150 (80,011mm)
468-2832-068	68	34	3.426	(87,02mm)	NOM	3.350 (85,09mm)

DRAWN	PROD ENG	QA	MKT	P/ECN#	DRAWING NO.	AMPHENOL SPECTRA-STRIP 720 SHERMAN AVE TEL (203) 281-3200 HAMDEN CT 06514 FAX (203) 281-5872	Rev B
6/16/04	3/27/07			1100	TITLE: Halogen Free Loose Pair Round		SHEET
					Twist'N'Flat® Cable		1 of 2

PROPERTY	STANDARD	REQUIREMENTS	CABLE INSULATION/LAMINATE
FLAME AND FIRE PROPAGATION: SMOKE DENSITY:	IEC 332-1 ASTM E 662 IEC 1034-1 AND -2	PASS $D_s < 250$ FLAMING AND NON-FLAMING MODES PASS	PASS FLAMING - 15/47, NONFLAMING - 0/25 PASS
TOXICITY OF FIRE GASSES:	ATS 1000.001	HF <100 HCl <150 HCN <150 $SO_2 + H_2S <100$ CO <3500 $NO_2 + NO <100$	HF <100 HCl <150 HCN <150 $SO_2 + H_2S <100$ CO <3500 NO + NO <100
CORROSIVITY OF FIRE GASSES:	IEC 754-2	pH >4, CONDUCTIVITY <100uS/cm	pH - 4.5, CONDUCTIVITY - NO
UV RESISTANCE:	IEC 68-2-5	NO DISCOLORATION OR STICKINESS	NA
RADIATION RESISTANCE:	IEC 544-2-5	INDEX >5.7	NA
ACID GAS GENERATION:	MIL-C-24643		0 %
SMOKE INDEX:	NES-711		NA
TOXICITY INDEX:	NES-713		0.917
LIMITING OXYGEN INDEX:	ASTM D 2863		Laminate: 39, Insulated Singles: 46

ASTM E662: STANDARD TEST METHOD FOR SPECIFIC OPTICAL DENSITY OF SMOKE

ATS 1000.001: AIRBUS INDUSTRY TECHNICAL SPECIFICATION, FIRE TEST SPECIFICATION

IEC 68-2-5: SIMULATED SOLAR RADIATION AT GROUND LEVEL

IEC 332-1: TESTS ON ELECTRIC CABLES UNDER FIRE CONDITIONS

IEC 544-2,-4: GUIDE FOR DETERMINING THE EFFECTS OF IONIZING RADIATION ON INSULATING MATERIALS

IEC 754-2: TEST ON GASES EVOLVED DURING COMBUSTION OF ELECTRIC CABLES

IEC 1034-1,-2:TEST FOR THE MEASUREMENT OF SMOKE DENSITY OF ELECTRIC CABLES BURNING UNDER DEFINED CONDITIONS

DRAWN	PROD ENG	QA	MKT	P/ECN#	DRAWING NO.	AMPHENOL SPECTRA-STRIP 720 SHERMAN AVE TEL (203) 281-3200 HAMDEN CT 06514 FAX (203) 281-5872	Rev B
FITS 6/16/04	3/27/07			1100	TITLE: Halogen Free Loose Pair Round		SHEET
					Twist'N'Flat® Cable		1 of 2